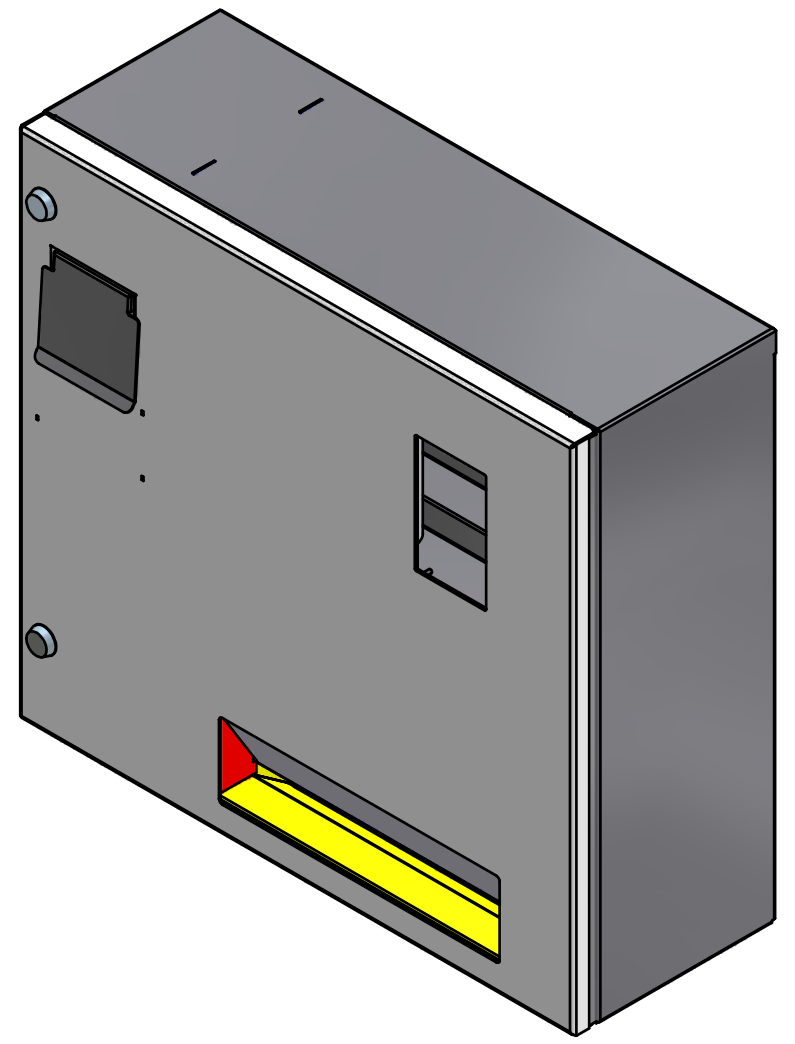
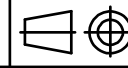


Abwurf
Touchscreen
Ausgabe



| | | | | | | | | |
|--------|------------|-------|------|---|------------|--|--|-------------|
| | | | |  | | | | |
| | | | | Datum | Name | <h2>Hotelschlüsselausgabe</h2> <h3>Datenblatt</h3> | | |
| | | | | Gezeichnet | 02.12.2013 | | | I-K-Henning |
| | | | | Kontrolliert | | | | |
| | | | | Norm | | | | |
| | | | | | | <h1>10399-100000</h1> | | |
| | | | | | | <h2>1</h2> | | |
| | | | | | | <h3>A3</h3> | | |
| Status | Änderungen | Datum | Name | | | | | |