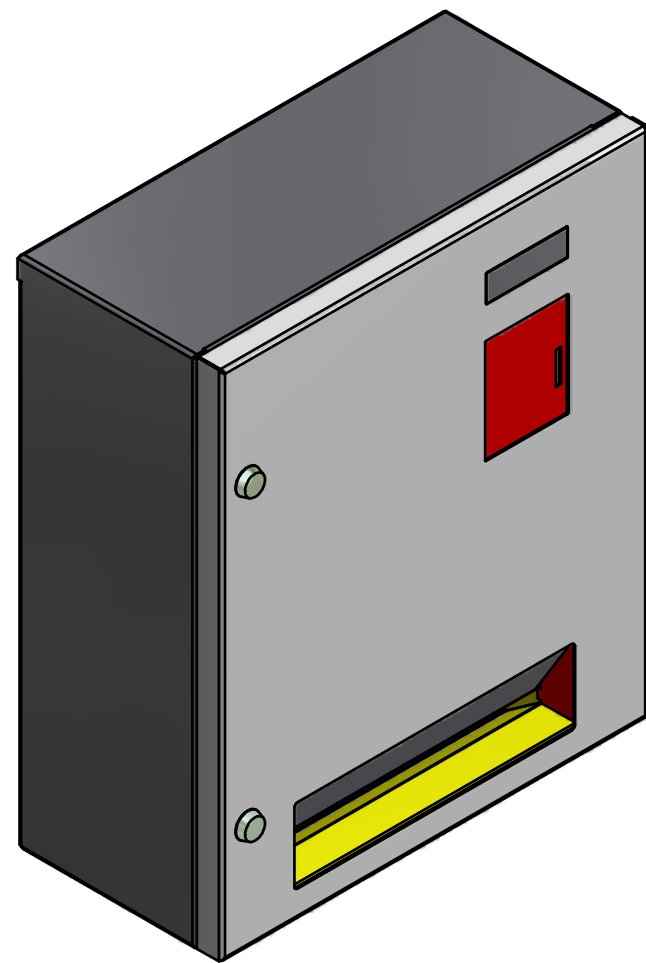
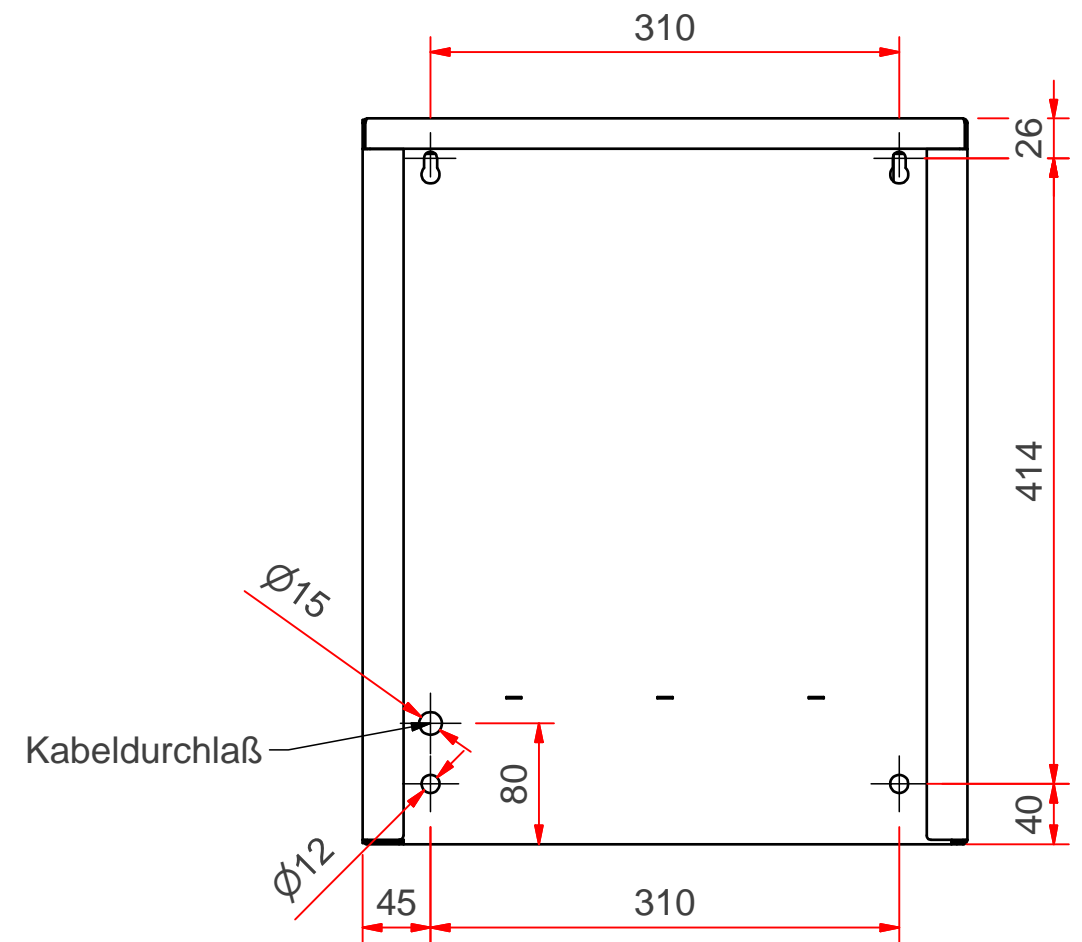
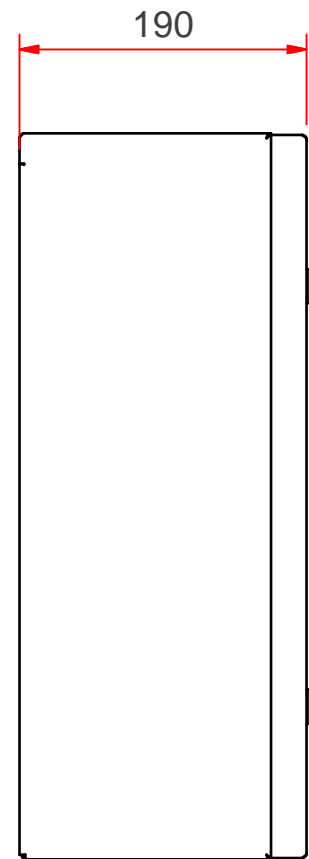
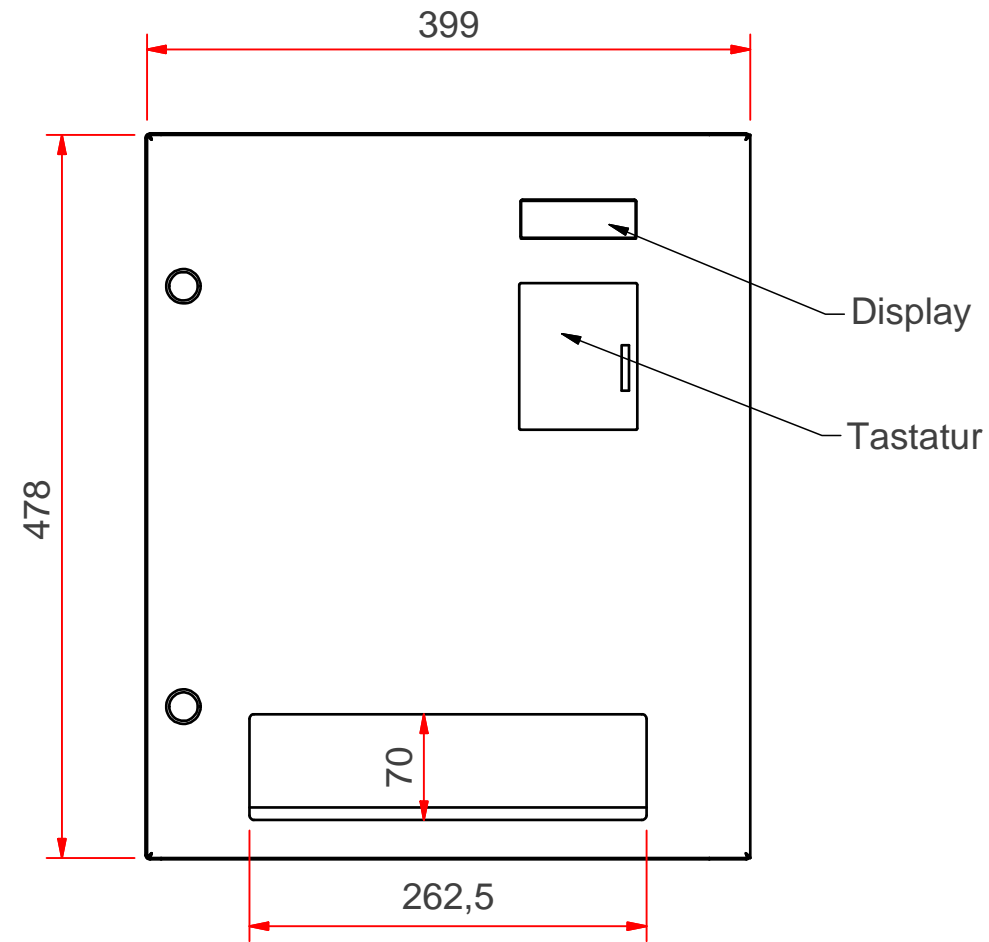


1 2 3 4 5 6 7 8



| | | | | | | | | |
|--------|------------|-------|------|--------------|------------|--|----|-------------|
| | | | | | | | | |
| | | | | Datum | Name | <h1>Hotelschlüsselausgabe</h1> <h2>Datenblatt</h2> | | |
| | | | | Gezeichnet | 15.04.2009 | | | I-K-Henning |
| | | | | Kontrolliert | | | | |
| | | | | Norm | | | | |
| | | | | | | 10390-100000 | 1 | |
| | | | | | | | A3 | |
| Status | Änderungen | Datum | Name | | | | | |

1 2 3 4